

- 1
- 2
- 3
- 4
- 5
- 6
- 7
- 8
- 9
- 10
- 11
- 12
- 13
- 14
- 15
- 16
- 17
- 18

MATERIAL

Aluminium bar, with antibacterial epoxy resin coating, RAL 9005 black colour.

STANDARD EXECUTION

Threaded blind holes.

FEATURES AND APPLICATIONS

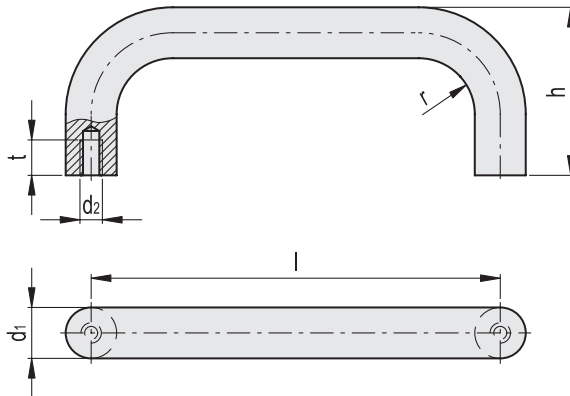
GN 426-SMA handles have a silver molybdate-based powder coating which gives them antimicrobial properties.

The principle of action that is activated reduces the contamination of surfaces within 24 hours, so that in the end less than 1% of bacteria and less than 5% of viruses survive.

They are generally used in the healthcare sector, in public buildings such as airports, railway stations, stadiums, etc.

SPECIAL EXECUTIONS ON REQUEST

- Different lengths.



Conversion Table	
1 mm = 0.039 inch	
mm	inch
200	7.80
250	9.75
300	11.70
400	15.60

Code	Description	d1	l±0.25	d2	h	r	tmin	△△
GN.26814	GN 426-AL-20-200-SMA	20	200	M8	68	22	15	240
GN.26819	GN 426-AL-20-250-SMA	20	250	M8	68	22	15	280
GN.26825	GN 426-AL-20-300-SMA	20	300	M8	68	22	15	330
GN.26835	GN 426-AL-28-250-SMA	28	250	M10	78	32	15	290
GN.26848	GN 426-AL-28-300-SMA	28	300	M10	78	32	15	350
GN.26858	GN 426-AL-28-400-SMA	28	400	M10	78	32	15	415

Handles